

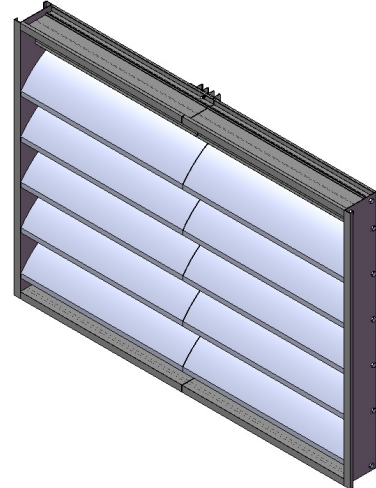
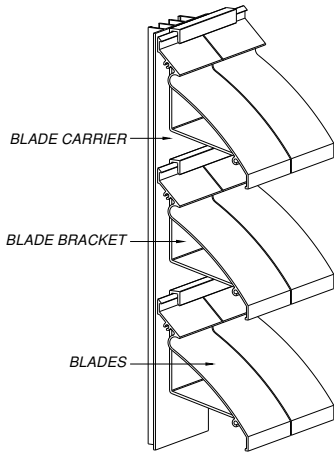
**AVAILABLE FINISHES:**

- BAKED ENAMEL FINISH
- DURANAR FINISH
- ANODIZED FINISH
  - CLEAR ANODIZED
  - LIGHT BRONZE
  - MEDIUM BRONZE
  - DARK BRONZE
  - BLACK ANODIZED

**OTHER ACCESSORIES:**

- STAINLESS STEEL FASTENERS
- ALL WELDED CONSTRUCTION
- MONUMENTAL CONSTRUCTION WITH HEAVY GAUGE MATERIAL (AVAILABLE FOR MODELS 2420 AND 2630 ONLY)

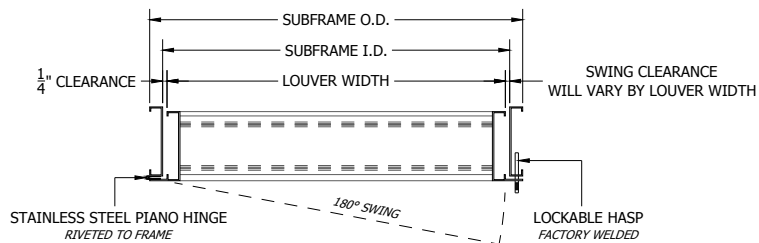
**CONTINUOUS LINE CONSTRUCTION**



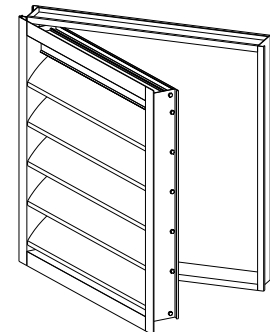
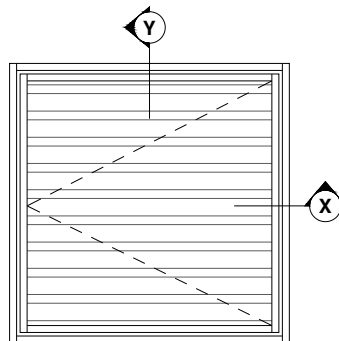
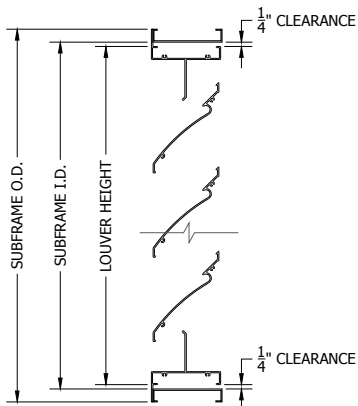
\*NOT RECOMMENDED FOR DRAINABLE LOUVERS

**HINGED ACCESS DOORS**

**SECTION - X**

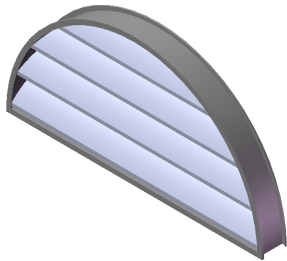


**SECTION - Y**

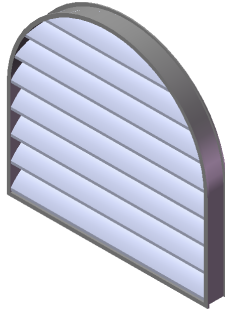


**SPECIALTY GEOMETRIC SHAPES**

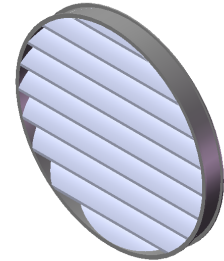
**ARC**



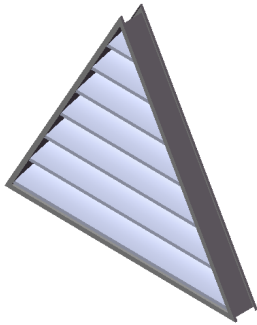
**ARCHED**



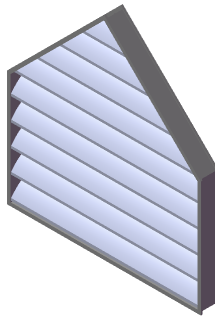
**ROUND**



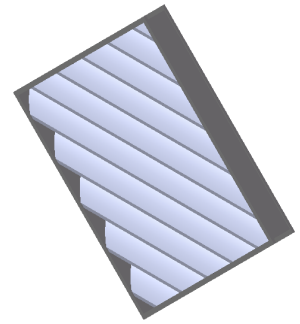
**TRIANGLE**



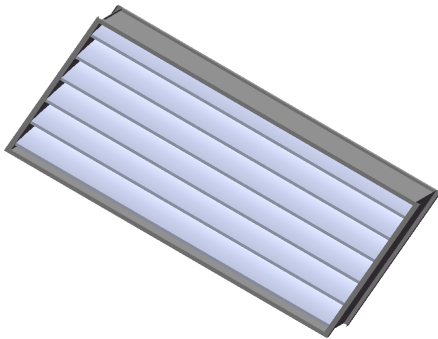
**PEAKED TOP**



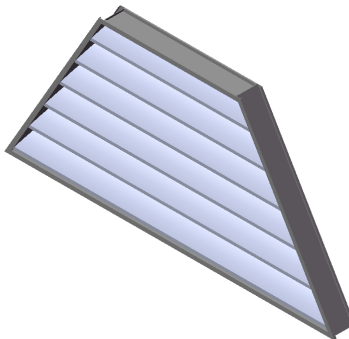
**DIAMOND**



**PARALLELOGRAM**



**TRAPEZOID**



**OCTAGON**

